

## DH-HAC-HDW2120E

---

### 1.3Megapixel 720P Water-proof IR HDCVI Dome Camera



#### Features

- 1/3" 1.3Megapixel CMOS
- 25/30/50/60fps@720P
- High speed, long distance real-time transmission
- HD and SD switchable
- OSD Menu, control over coaxial cable
- DWDR, Day/Night(ICR), AWB, AGC, BLC, 3DNR
- 3.6mm fixed lens (2.8mm, 6mm optional)
- Max. IR LEDs length 50m, Smart IR
- IP67, DC12V

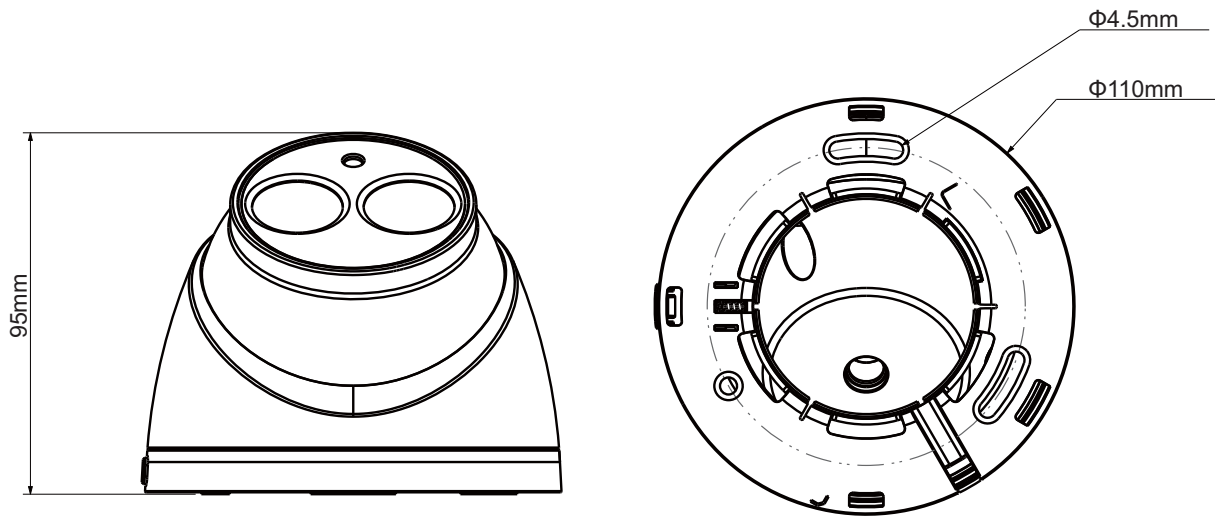
# DH-HAC-HDW2120E

## Technical Specifications

| Model                  | DH-HAC-HDW2120EP   | DH-HAC-HDW2120EN |
|------------------------|--|------------------|
| <b>Camera</b>          |  |                  |
| Image Sensor           | 1/3" 1.3Megapixel CMOS   |                  |
| Effective Pixels       | 1305(H)×977(V)   |                  |
| Electronic Shutter     | 1/3s~1/100,000s  |                  |
| Video Frame Rate       | 25/50fps@720P  | 30/60fps@720P    |
| Synchronization        | Internal   |                  |
| Mini. Illumination     | 0.01Lux/F1.6, 0Lux IR on   |                  |
| Video Output           | 1-channel BNC HDCVI high definition video output/ CVBS standard definition video output (Can switch) |                  |
| <b>Camera Features</b> |  |                  |
| Max. IR LEDs Length    | 50m, Smart IR  |                  |
| Day/Night              | Auto(ICR) / Color / B/W  |                  |
| Noise Reduction        | 2D/3D  |                  |
| OSD Menu               | Support  |                  |
| <b>Lens</b>            |  |                  |
| Focal Length           | 3.6mm (2.8mm, 6mm optional)  |                  |
| Angle of View          | H: 72.3° (89° /46°)  |                  |
| Mount Type             | M12  |                  |
| <b>General</b>         |  |                  |
| Power Supply           | DC12V±20%  |                  |
| Power Consumption      | Max 4W   |                  |
| Working Environment    | -30°C~+60°C / Less than 95%RH (no condensation)  |                  |
| Transmission Distance  | Over 800m via 75-3 coaxial cable   |                  |
| Ingress Protection     | IP67   |                  |
| Dimensions(W×D×H)      | Φ110mm×95mm  |                  |
| Weight                 | 0.3kg  |                  |
| Material               | Metal (inner core) + Plastic (cover)   |                  |

# DH-HAC-HDW2120E

## Dimensions (mm)



## Accessories (optional)

|   |   |   |
|---|---|---|
|  |  |  |
| PFB200W   | PFA136  | PFA152  |

### Dahua Technology Co., Ltd.

1187 BinAn Road, Binjiang District, Hangzhou, China

Tel: +86-571-87688883

Fax: +86-571-87688815

Email: [overseas@dahuatech.com](mailto:overseas@dahuatech.com)

[www.dahuatech.com](http://www.dahuatech.com)

\*Design and specifications are subject to change without notice.

© 2013 Dahua Technology Co., Ltd.