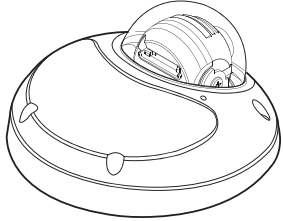




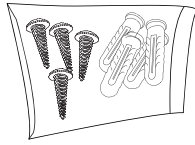
Indoor

# Mini Dome Network Camera Hardware Installation

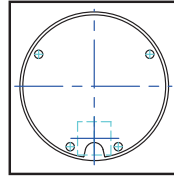
## Package Contents



Mini Dome Camera



Screw Pack : Screws T4 x 25mm 4pcs  
Nylon Screw Anchor 4pcs



Mounting Position Sheet

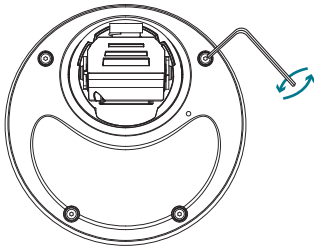


A hexagonal wrench  $\phi 1.5\text{mm}$

# 1

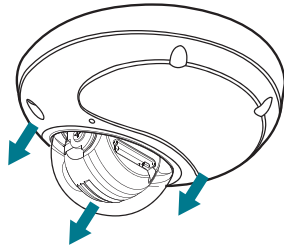
### Start the Installation

Use the screwdriver to loosen the screws holding the cover.



# 1-1

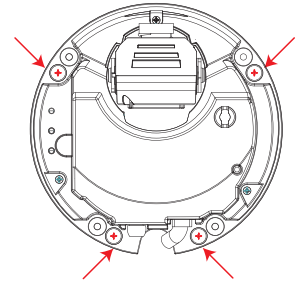
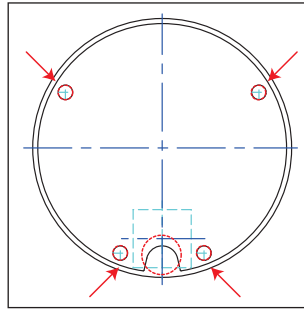
### Remove the Cover



# 2

### Mounting

Mounting the camera in accordance with mounting position sheet attached.

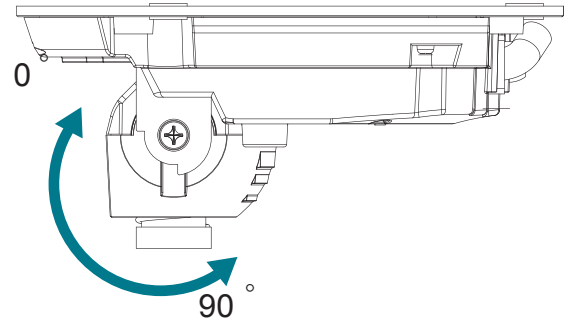
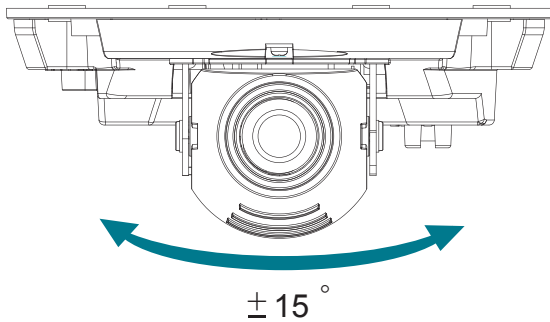


Suggestion:  
Hole size  $\phi 6\text{mm}$ , Depth 30mm

# 3

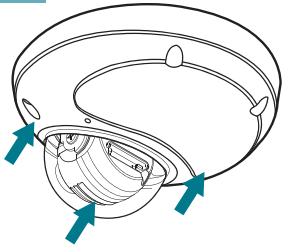
### Adjust the Lens Focus Angle

Front View



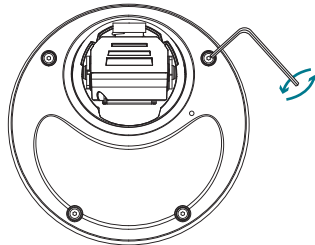
### Stabilize the Hardware

Put the cover back on the hardware



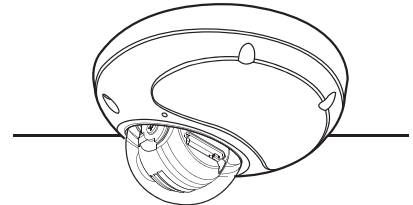
# 4-1

### Lock the Screws Holding the Cover



# 5

### Complete the Installation



## Smart cable management

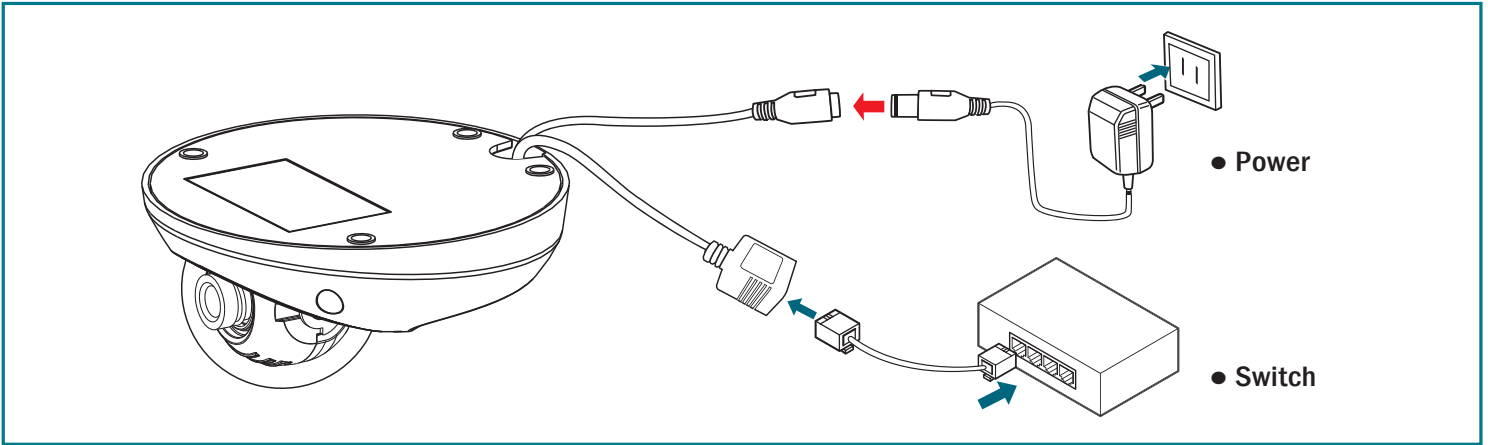
Wrap the cable around the hook. While installing the camera you are unable to see the cable.





Indoor

# Mini Dome Network Camera Connection Diagram



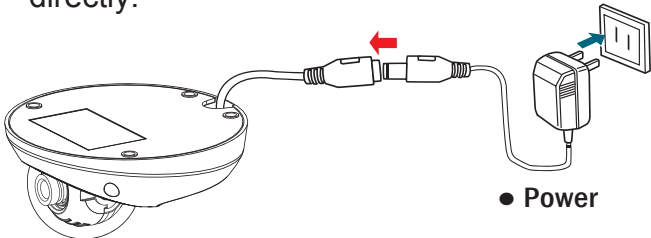
## Connect the product to the switch hub and PC.

- 1 Prepare the product, your PC and switch hub ready for connection.**

Prepare the product, your PC and switch hub ready for connection. Make sure that your PC has a LAN port available for connection to the network cable of the product.

- 2 Connect the product to the power source (as shown in the figure).**

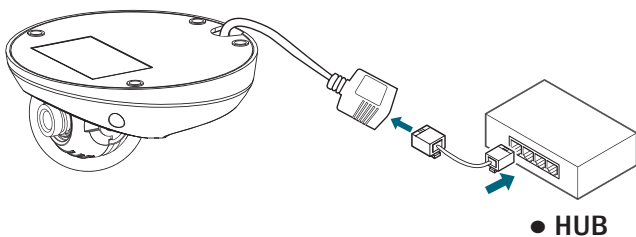
Please connect with your power adaptor directly.



- 3 Connect the product to the switch hub (as shown in the figure).**

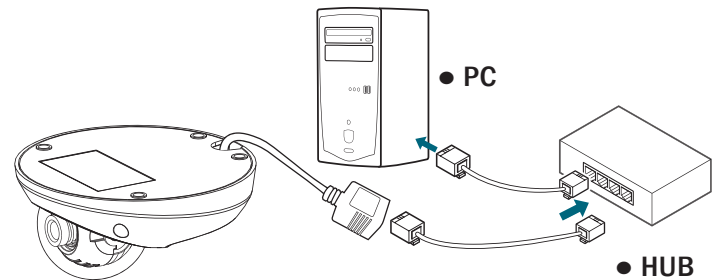
Use a network cable and plug it in the LAN port of the product.

Plug the other end of the cable in the LAN port of the hub.



- 4 Connect the switch hub to your PC (as shown in the figure).**

Prepare the product, your PC and switch hub ready for connection. Make sure that your PC has a LAN port available for connection to the network cable of the product.



- 5 Turn on the power.**

Turn on the power of the PC and hub.

### Attention

1. Please refer to user manual for more detailed explanation of the hardware installation.
2. Where no switch hub is available, you can search and .set up the camera using the network peering approach. However, you may need a jumper and need to change the LAN configuration on your PC for this purpose. It is recommended to request a qualified engineer for the connection or execute the network peering referring to the user's manual.
3. The ITE is to be connected only to PoE networks without routing to the outside plant.

