

# User Manual

WT-171LM / S



[www.commax.com](http://www.commax.com)

COMMAX Co.,Ltd.



- Thank you for purchasing COMMAX products.
- Please carefully read this User's Guide (in particular, precautions for safety) before using a product and follow instructions to use a product exactly.
- The company is not responsible for any safety accidents caused by abnormal operation of the product.



## Contents

1. Introduction.....	3
2. Important Safeguard.....	4
3. Part names and features .....	4
4. Wiring .....	5
5. Registration / Deleting .....	6
6. How to use .....	7
7. Accessories .....	8
8. Specifications and Features .....	8



## 1. Introduction

Your unit is designed so it can be flush mounted on the or used. When flush mounted on the wall, the stand permits you to the unit for an gular of unit view. The model number is located on the bottom and record the serial number in the space provided below(available). Refer to these numbers whenever you call upon your COMMAX dealer regarding this product.

Model No.

Serial No.

**To prevent fire or shock hazard, do not expose the unit to rain or moisture.**



This symbol is intended to alert the use to the presence of uninsulated **"dangerous Voltage"** within the product' s enclose that may be of sufficient magnitude to constitute a risk of electric shock to persons.



This symbol is intended to alert the use to the presence of important operating and maintenance(servicing) instructions in the literature accompanying the appliance



caution

Risk of electric shock  
do not open



CAUTION : To reduce the risk of electric shock, do not remove cover(or back) no user-serviceable part inside refer servicing to qualified service personnel

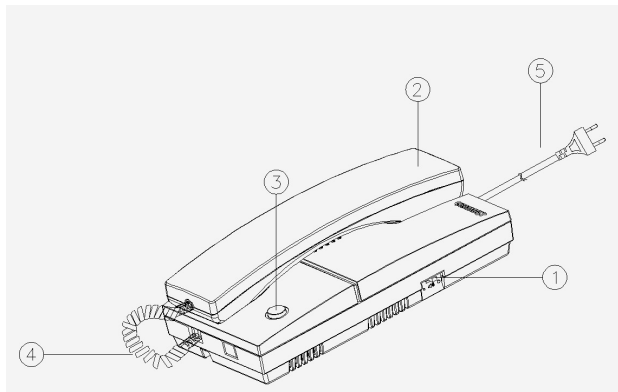


## 2. Important Safeguards

- ▲ **Damage Requiring Service:** This equipment from the power source and source and refer servicing to qualified service personnel under the following conditions:
  - Ⓐ when the power is damaged.
  - Ⓑ if liquid has been spilled or objects have fallen into the unit
  - Ⓒ if the equipment has been exposed to rain or water.
  - Ⓓ if the equipment has been dropped or otherwise damaged.
  - Ⓔ when the equipment exhibits a distinct change in performance- this indicates a need for service.
- ▲ **Water and Moisture:** Do not use this product near water, for example, near a bath tub, wash bowl, kitchen sink, or laundry tub, in a wet basement, or near a swimming pool, and the like.
- ▲ **Accessories:** The product may fall, causing serious injury to a child or adult, and serious damage to the appliance. Any mounting of the manufacture's instructions, and should use a mounting accessory recommended by the manufacturer.
- ▲ **Object and Liquid Entry:** Never push objects of any kind into this product through openings as they may touch dangerous voltage points or short-out parts that could result in a fire or electric shock. Never spill liquid of any kind on the product.
- ▲ **Lightning:** For added protection for this product before a lightning storm, or when it is left un attached and un used for long periods of time, unplug it from the wall outlt and disconnect the other system. This will prevent damage to the product due to lightning and power-line surges. If you live in an area heavily prone to lightning storms, it is recommended that you invest in power-line, telephone-line, RFcable and actuator/ polarization surge protectors to protect your appliance system from possible damage

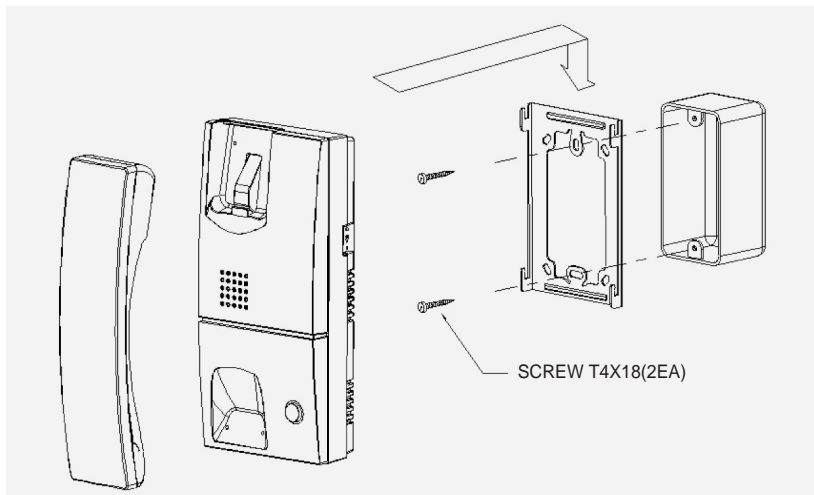


### 3. Part names and features



No.	Features and setting
①	Power switch
②	Handset
③	Call Button
④	Handset cord
⑤	Power plug

## 4. Wiring



※ Plug the AC cord into the outlet



## 5. Registration / Deleting

### A Registration

- ① When the power is turned on, the beep will sound.
- ② This product consists of the master(WT-171LM) and slave (WT-171LS) units.
- ③ Turn on the master unit first and, within 30 seconds, press the call button for 5 seconds while the handset is hung on its hook lever. Once it is entered into the registration mode, the beep will sound.

The registration mode continues up to 60 seconds.

If you do the same for slave unit as you did for the master unit for registration after the mater unit enters into registration mode, the registration mode entering sound will ring.

Once the slave unit is matched with master unit, the registration completion sound will ring.

Once the registration is completed, you can start communication by picking up the handset and pushing the calling button.

- ④ If you turn off and on the product after the registration is completed, the beep will sound.
  - ※ Paring completion sound : The sound that come out when the wireless communication is ready  
(When the paring is failed, the warning sound goes off from the slave unit only)

### B Deleting

- ① To cancel the registration of master and slave, put down the handset within 30 seconds after the power is turned on and click call button 3 times shortly and 5 times for long time (5 seconds). Turn of the power after you hear the complete sound after the deleting (Same for Master, Slave)



## 6. How to use

- ① Pick up one of the handsets of Master and Slave unit and press call button
- ② Bell rings when it is called(Ding Dong Dang)
- ③ Pick up the handset to start the conversation.
- ④ When the conversation is over, put down the handset.
- ⑤ While you lift down the handset and push the call button more than 5 seconds, you can hear the "Beep"sound. Now you are in the "adjust the bell sound mode".  
In the "Adjust the bell sound mode", you can change the bell sound in order of "1-2-3-2-1" when you push the call button.
- ⑥ When the call button is clicked during the conversation, the communication volume will changes in order of 1-2-3-2-1





## 7. Accessories



Screws for wall mount : 2 Ea.



Bracket & screw for powercord



## 8. Specifications and Features

Model	WT-171LM / S
Power Source	110~220V / 50~60HZ
Power Consumption	WT-171LM : 2W WT-171LS : 1W
Call Method	GFSK
Ring tone	Chime
Distance	Indoor : 45~50M, outdoor : 200M
Temperature	0°C ~ +40°C
Dimensions	Without Handset : 107x195x38mm Including Handset : 107x195x51mm

- ※ It is likely to be affected by surroundings. Call quality may be poor, if it is affected by Elevators, high voltage, Radio Frequency Interference and iron doors.

**COMMAX**

**COMMAX Co.,Ltd.**

513-11, Sangdaewon-dong, Jungwon-gu, Seongnam-si, Gyeonggi-do, Korea  
Int'l Business Dept. : Tel.; +82-31-7393-540~550 Fax.; +82-31-745-2133  
Web site : [www.commax.com](http://www.commax.com)

*PM53WT171M10*

*Printed In Korea / 2014.04.105*